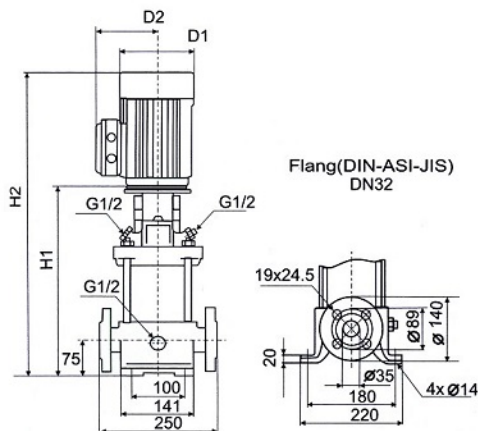


Vertical Multistage Centrifugal in - line Pump

Dimensions and weights - PCR 3



General Specification

Output size:	25 to 125 mm
Capacity:	0.7-180 m ³ /hr
Head:	275 m
Operation Temperature:	-15 to +120
Main Connection (1-[v/Hz]):	220-240 V, 50 Hz
Main Connection (3-[v/Hz]):	380-415 V, 50 Hz
Insulation Class:	F
Enclosure Class:	IP 55
Ambient Temperature:	50°C

Pump type	Motor		Pump Flanges (mm)	PCR				Net weight (kg)		
	P [kW]	rpm		Dimension(mm)						
				DIN flange		D1	D2	DIN flange		
PCR 3 - 2	0.37	2900	32	H1	H2	D1	D2	23.4		
PCR 3 - 3	0.37			279	474	141	115	23.4		
PCR 3 - 4	0.37			279	474	141	115	23.8		
PCR 3 - 5	0.37			297	492	141	115	24.2		
PCR 3 - 6	0.55			315	510	141	115	25.0		
PCR 3 - 7	0.55			333	528	141	115	25.4		
PCR 3 - 8	0.75			351	546	141	115	27.9		
PCR 3 - 9	0.75			375	610	141	115	28.3		
PCR 3 - 10	0.75			393	628	141	115	28.7		
PCR 3 - 11	1.1			411	646	141	115	30.2		
PCR 3 - 12	1.1			429	664	141	115	3.5		
PCR 3 - 13	1.1			447	682	141	115	30.9		
PCR 3 - 15	1.1			465	700	141	115	31.6		
PCR 3 - 17	1.5			501	736	141	141	41.0		
PCR 3 - 19	1.5			553	844	177	141	41.8		
PCR 3 - 21	2.2			589	880	177	141	45.3		
PCR 3 - 23	2.2			625	916	177	141	46.1		
PCR 3 - 25	2.2			661	952	177	141	46.8		
PCR 3 - 27	2.2			697	988	177	141	47.6		
PCR 3 - 29	2.2			733	1024	177	141	48.3		
PCR 3 - 31	3			769	1060	177	141	56.6		
PCR 3 - 33	3			809	1125	197	147	57.4		
PCR 3 - 36	3			845	1161	197	147	58.5		
						899	1215	197	147	